

Swivel clamp connector joints

Aluminium / with two-part clamp pieces

SPECIFICATION

Identification No.

No. **2**: with 5 Stainless Steel-Clamping screws DIN 912

Type

Type **S**: stepless adjustment

Aluminium

plastic coated

black RAL 9005, textured finish **SW**

blank **BL**

matt shot-blasted

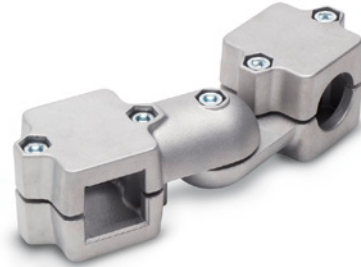
Clamping bores not machined

Socket cap screws DIN 912

Stainless Steel AISI 304

Hexagon nuts DIN 985

Stainless Steel AISI 304



INFORMATION

GN 289 swivel clamp connector joints are an assembly of two GN 279 (see page 1858) swivel clamp connectors.

The clamping bores of the swivel clamp connector joints GN 289 are not machined and designed for construction tubes GN 990 (see page 1902) or DIN 2391, DIN 2395 and DIN 2462 respectively.

The swivel clamp connectors have an identical swivel width "b", so that all bores „d₁/s₁“ and „d₂/s₂“ can be combined as required.

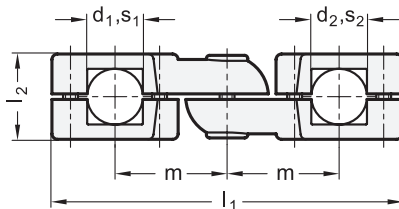
The standard version of the clamping screws are socket cap screws with hexagonal socket DIN 912. They can be replaced by adjustable clamping levers GN 911 (see page 1874) (see table of dimensions).

ACCESSORY

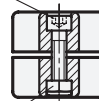
- Clamping kits GN 911 (see page 1874)

TECHNICAL INFORMATION

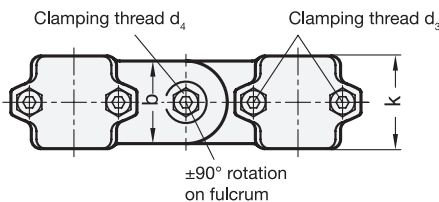
- Stainless Steel characteristics (see page A26)



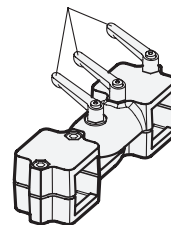
Clamping screw
Socket cap screw DIN 912

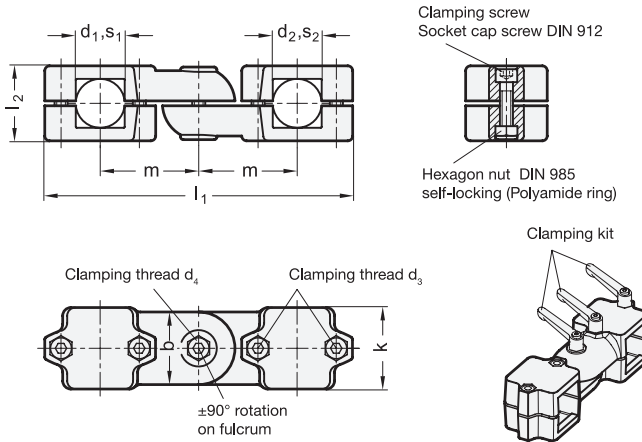


Hexagon nut DIN 985
self-locking (Polyamide ring)



Clamping kit





* Complete with colour index of the Swivel clamp connector joints (SW or BL)

 SW RAL9005 BL blank

GN 289

Description	d1	s1	d2	s2	b	d3	d4	k	l1	l2	m	Clamping kits for d3	Clamping kits for d4	⚖️
GN 289-B40-B40-S-2-*	B 40	-	B 40	-	65	M 10	M 10	76	268	70	85	GN 911-M10-55	GN 911-M10-63	1855
GN 289-B42-B42-S-2-*	B 42	-	B 42	-	65	M 10	M 10	76	268	70	85	GN 911-M10-55	GN 911-M10-63	1855
GN 289-B45-B45-S-2-*	B 45	-	B 45	-	65	M 10	M 10	76	268	70	85	GN 911-M10-55	GN 911-M10-63	1844
GN 289-B48-B48-S-2-*	B 48	-	B 48	-	65	M 10	M 10	76	268	70	85	GN 911-M10-55	GN 911-M10-63	1760
GN 289-B50-B50-S-2-*	B 50	-	B 50	-	65	M 10	M 10	76	268	70	85	GN 911-M10-55	GN 911-M10-63	1760
GN 289-B50-V50-S-2-*	B 50	-	-	V 50	65	M 10	M 10	76	268	70	85	GN 911-M10-55	GN 911-M10-63	1719
GN 289-B45-V45-S-2-*	B 45	-	-	V 45	65	M 10	M 10	76	268	70	85	GN 911-M10-55	GN 911-M10-63	1788
GN 289-B40-V40-S-2-*	B 40	-	-	V 40	65	M 10	M 10	76	268	70	85	GN 911-M10-55	GN 911-M10-63	1843
GN 289-V40-B40-S-2-*	-	V 40	B 40	-	65	M 10	M 10	76	268	70	85	GN 911-M10-55	GN 911-M10-63	2000
GN 289-V45-B45-S-2-*	-	V 45	B 45	-	65	M 10	M 10	76	268	70	85	GN 911-M10-55	GN 911-M10-63	1788
GN 289-V50-B50-S-2-*	-	V 50	B 50	-	65	M 10	M 10	76	268	70	85	GN 911-M10-55	GN 911-M10-63	1719
GN 289-V40-V40-S-2-*	-	V 40	-	V 40	65	M 10	M 10	76	268	70	85	GN 911-M10-55	GN 911-M10-63	1740
GN 289-V45-V45-S-2-*	-	V 45	-	V 45	65	M 10	M 10	76	268	70	85	GN 911-M10-55	GN 911-M10-63	1867
GN 289-V50-V50-S-2-*	-	V 50	-	V 50	65	M 10	M 10	76	268	70	85	GN 911-M10-55	GN 911-M10-63	1787

Weight BL

